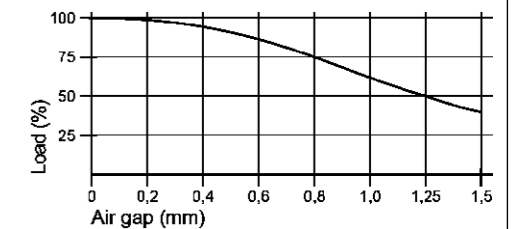
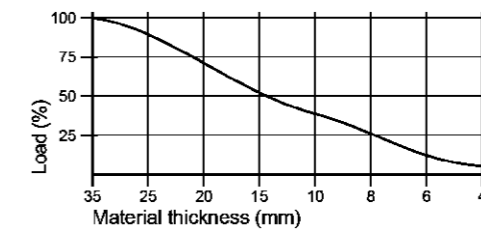
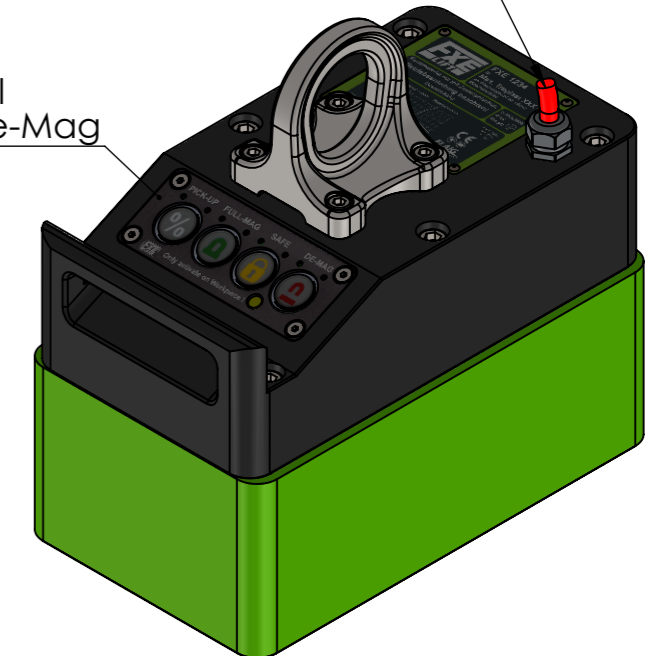


2m cable,
optional Spiral cable 1-5m

Front board control panel
Pick-Up/Full-Mag/Safe/De-Mag



Specification FXE 800-100

Nominative Force: 29kN	lifting capacity EN 13155/WLL		
Materialthickness >35mm (100%)	WLL= 800kg		
5,7 kVA			
U: 380-480V Pulse	Protection Class IP 65		
R: 4,7Ω	Protectiv Earth SK I		
Max. Load capacity at sheets and 4-edge pipes			
T material thickness	Lmax (mm)	Wmax (mm)	Wll (kg)
>=35mm	2000	1000	800

Schutzvermerk nach DIN ISO 16016 beachten!
Nachdruck nur mit unserer Genehmigung!
All rights reserved according to DIN ISO 16016!
Reprint with our permission only!

	tolerance	material:	weight: 52kg
	ISO 7168 M	drawing no.:	0018529
	date	name	description: FXE 800-100
	drawn 24.10.2023 TW		
edit 24.10.2023			
appr. 24.10.2023 TW			

FLAIG
Magnetsysteme
www.flraig-te.de

part no.:	10600803	sheet	1 / 1
scale:	1:3	Status:	Freigegeben
		A3	